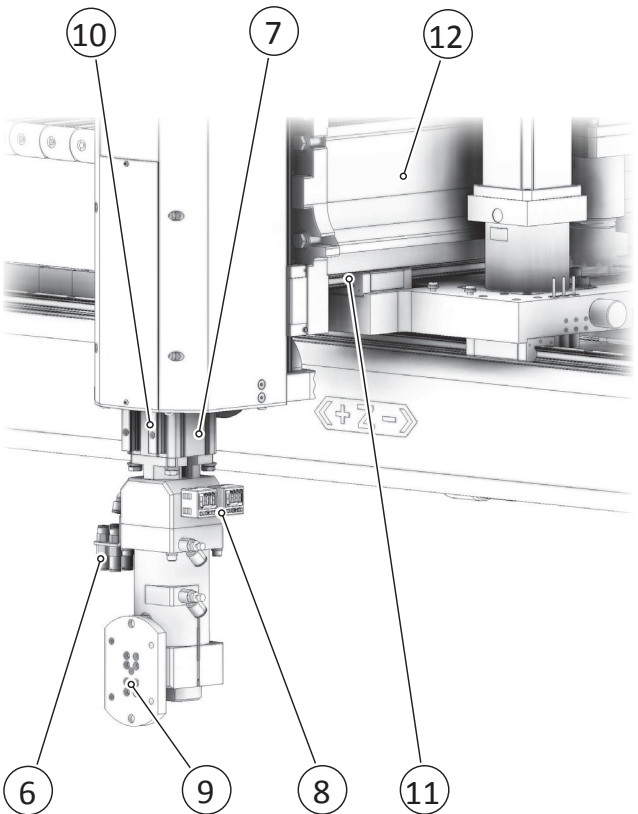
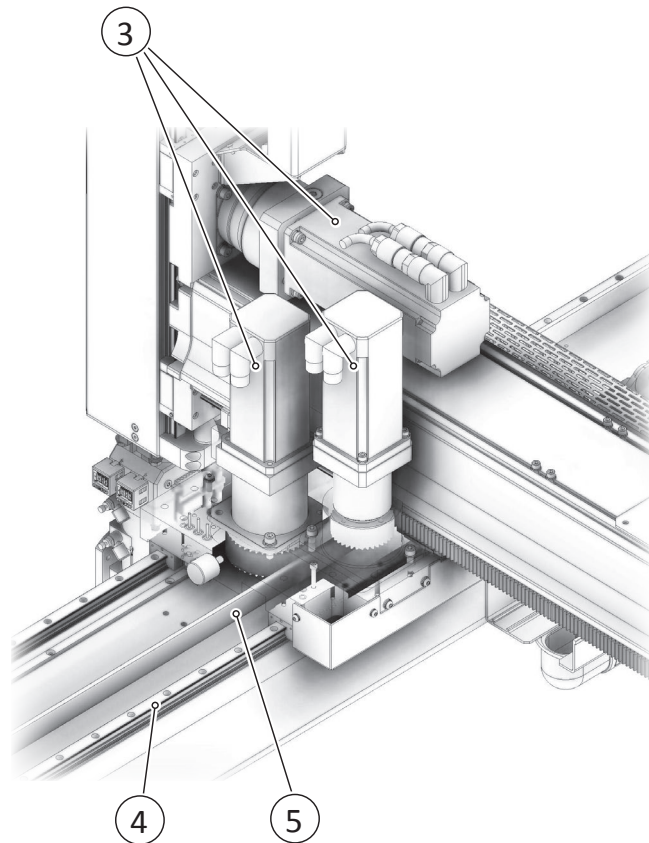
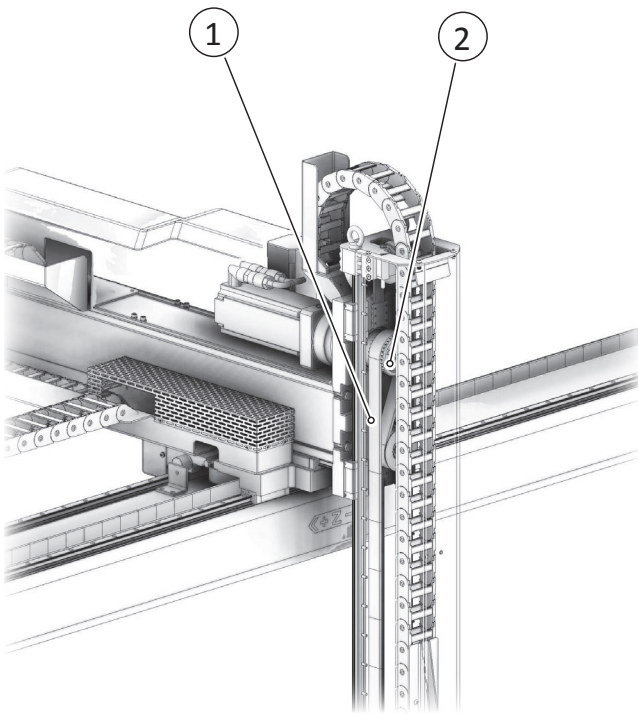




		Transverse axis	Vertical axis	Extraction axis	SCP control panel	
Working stroke	mm (in)	S10-S	2500 (98.42")	1600 (63.99")	900 (35.43")	Storage for 100 programs with 300 program lines
		S10-L	3000 (118.10")	1800 (70.86")	900 (35.43")	Standard palletizing program
Max speed	m/s (in/sec)	2 (78.74)	4 (157.48)	1 (39.37)	Immediate switching between 2 languages, multiple language available	
Gripper unit overturning	(pneumatic)	90°			User definible safe working areas (8 in total)	
Wrist swivel	(pneumatic)	0°- 90°/0°-180° (Optional)			Program backup/restore via USB	
Vacuum circuit		N°1 24 l/min (0.85 cubic ft/min)			Multiple passwords allow customized protection levels	
Pneumatic circuit		1			Control monitors system conditions and maintenance status	
Max applicable weight		20 kg (44 Lbs.)			Expandable and removable Input and 12 Output modules	
Power supply		3x400-480 Vac TN 7,5 kW			Controls up to 6 axis, with synchro movements	
Air supply		6 bar 600 kPa (90 PSI)			Remote assistance via ethernet available on request	
Suitable injection moulding machines		400-1000 ton (400-1100 US TONS)			Runs up to 10 parallel programs	
<i>Special strokes and devices available on request</i>					Easy positioning teaching	

SIO

SYTRAMA



1. *Y axis high power belt*
2. *low maintenance and accurate belt transmission*
3. *brushless motor*
4. *Z axis high-precision guiding system with sliding block on prismatic guides*
5. *Z axis high power belt*
6. *easy connection for pneumatic utility*
7. *special aluminum designed for high stiffness*
8. *analogic measuring vacuum, programmable from keyboard*
9. *90° pneumatic overturning*
10. *Y axis high-precision guiding system with sliding block on prismatic guides*
11. *X axis high-precision guiding system with sliding block on prismatic guides*
12. *special aluminum designed for high stiffness*